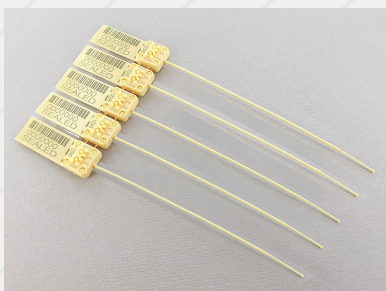
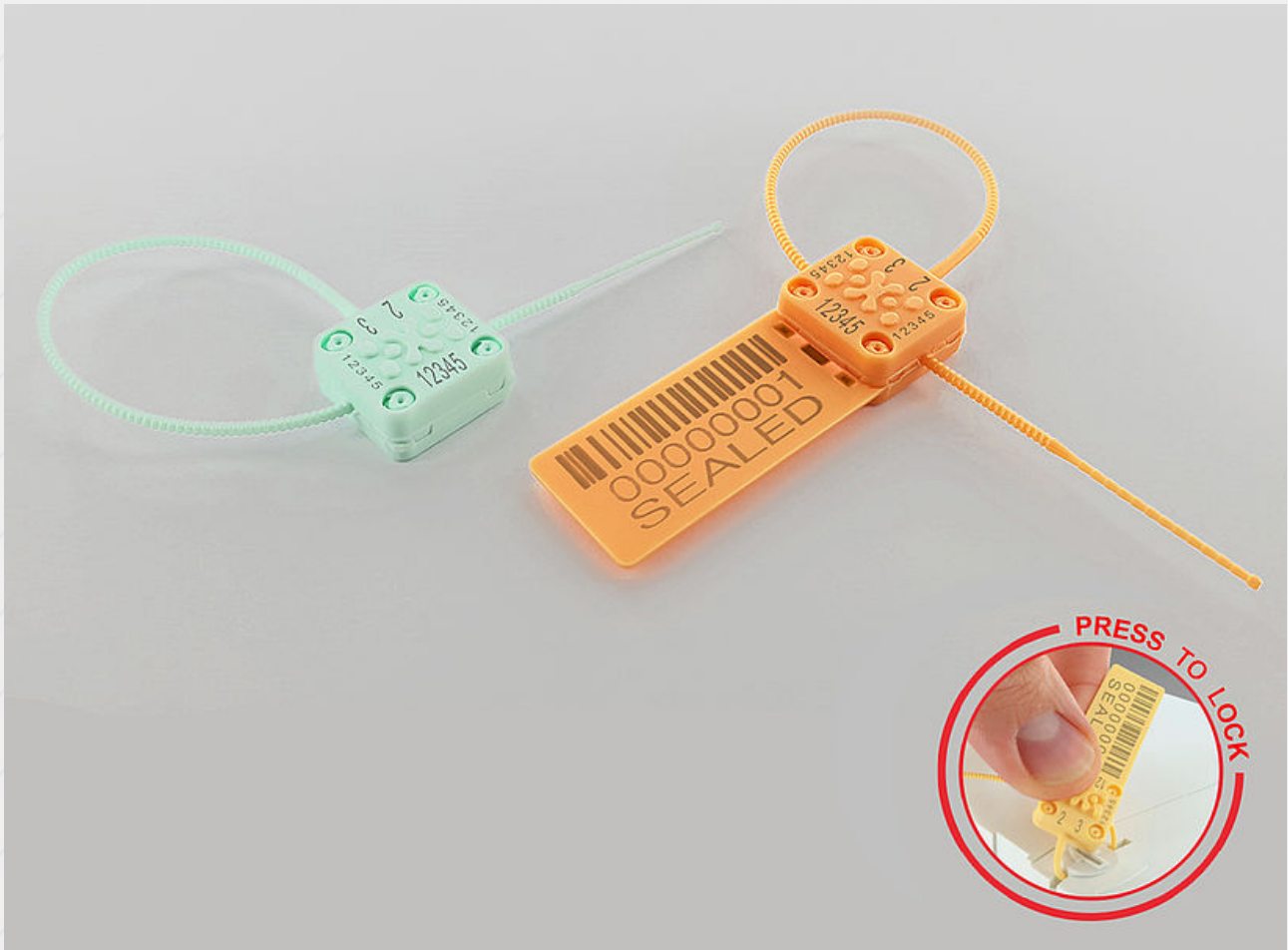


Unisto Sealky



Tamper evident Security Seal especially designed to use on Water, Gas and Electric meters. Closure of the seal with a locking button and insertion of the ribbon in any direction. Thin ribbon of 1.4 mm diameter fits to very small eyelets. Consecutive numbering or barcoding enables easy recording of the seal number and streamlines operations. Various plastic colours available.

Features of this security seal

Type of seal

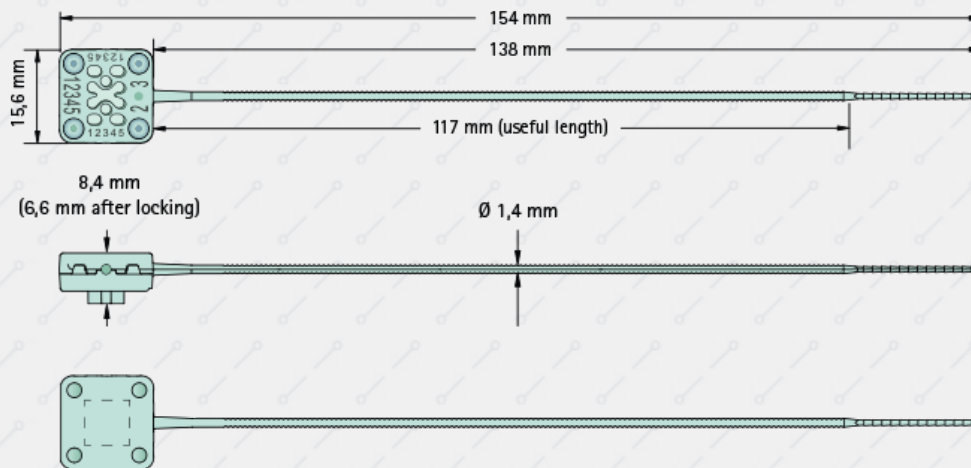
Adjustable length seals

Application

Meters

- › Fast closure of the seal with a locking button, without tools. Insertion of the ribbon in any direction
- › High resistance even with the narrow width of the ribbon
- › The seal's conception allows a tighter fit of the product, the loop's diameter can be adjusted between a maximum of 30 mm to a total tightening. Once the seal is tightened further manipulations are not possible without leaving any mark
- › Ribbon diameter 1.4 mm fits small eyelets of minimum Ø 1,5 mm
- › Bar-coding ensures fast and accurate data capture (Unisto Sealky T)
- › The laser used for marking provides a good contrast for reading, requires no additives and is therefore environmentally friendly
- › The name of the customer/logo allows a clear identification
- › Use only a cutting tool to open the seal
- › Seal treated against UV rays for a better resistance over time
- › Monomaterial seal and recyclable
- › Tamper evident Security Seal especially designed to use on Water, Gas and Electric meters

Unisto Sealky



Material

Polyamide (PA)

Tensile strength (loop)

Approx. 8 kg

Text/Numbering (around the housing)

Directly laser marked. 3 areas of maxi 5 digits, and one of 2 digits

Logo

Negative engraving on the reverse side of the housing (maxi 7,5 x 7,5 mm)

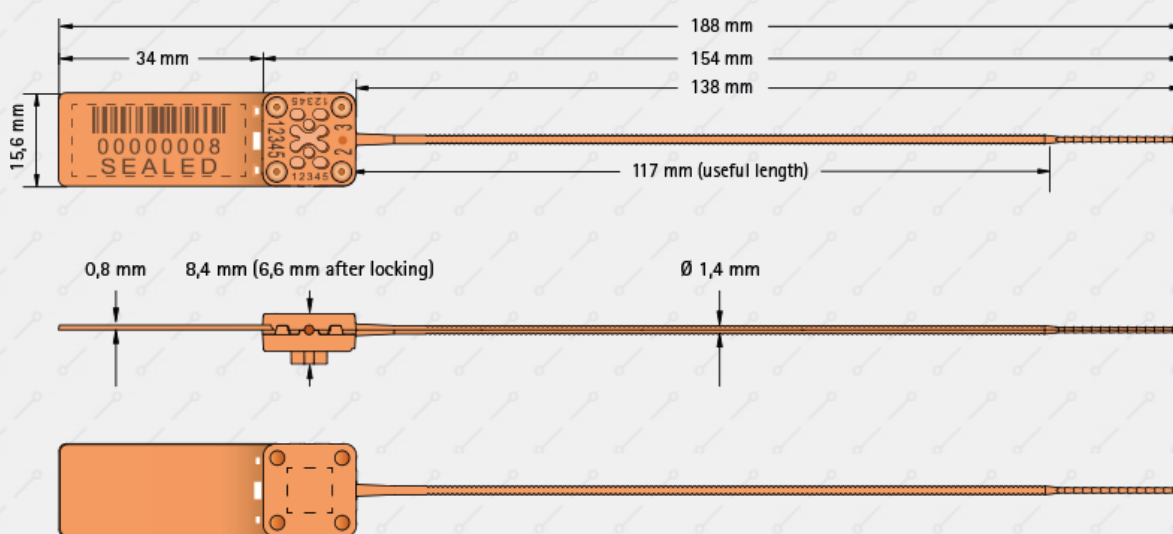
Colours

White, pink, yellow, apricot, green, grey

Packing

mats of 5 pieces, 500 pieces in a polybag, in boxes 0.047 m³ of 3'000 pieces, (38.3 x 35.2 x 28.4 cm, gross weight ca. 4,8 kg) 90'000 seals / pallet (gross weight ca. 160 kg)

Unisto Sealky T



Material

Polyamide (PA)

Tensile strength (loop)

Approx. 8 kg

Text/Numbering (around the housing)

Directly laser marked. 3 areas of maxi 5 digits, and one of 2 digits

Barcoding & numbering

Directly laser marked on the front side of the tag a) barcode interleaved 2/5 : 7 digits with check digit b) barcode interleaved 2/5 : 8 digits without check digit c) bar-code 128 C : 8 digits d) data matrix

Customer name/logo

- Directly laser marked on the front site of the tag - Negative engraving on the reverse side of the housing (maxi 7,5 x 7,5 mm)

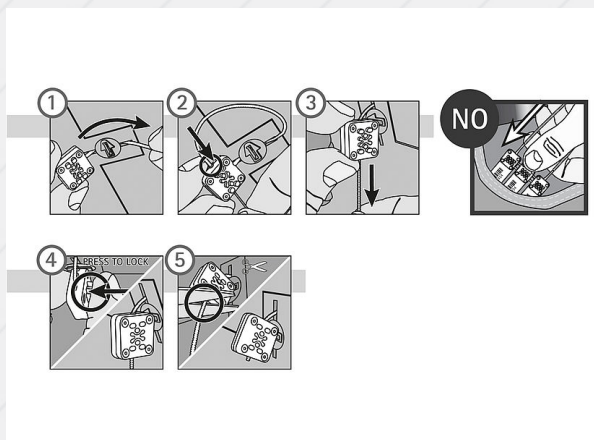
Colours

White, pink, yellow, apricot, green, grey

Packing

mats of 5 pieces, 500 pieces in a polybag, in boxes 0.047 m³ of 3'000 pieces (38.3 x 35.2 x 28.4 cm, gross weight ca. 6 kg) 90'000 seals / pallet (gross weight ca. 195 kg)

How to close



How to open

